

## Equipped with an Agitator and a Spiral Pump Casing, Sand, Solids, Debris are Pumped with Minimal Wear and Clogging



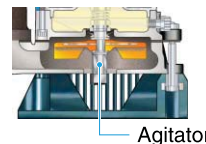
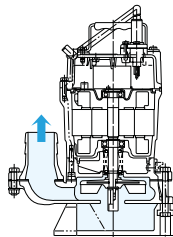
### Individual Features

#### Spiral Design

The large channel in the spiral casing allows sand and slit-laden water to pass through efficiently.

#### Air Lock Prevention

The shaft-mounted agitator prevents the "air lock" that tends to take place on semi-vortex or vortex pumps.



#### Simple Structure

The pump section can be disassembled and reassembled using a single 13-mm box wrench.

#### Auto Operation with Float Switch (HSZ)

The pump employs a float switch for automatic operation to prevent dry running and lower power consumption.



### Major Standard Specifications

Discharge Bore	mm	50	80(50)	
Motor Output	kW	0.4 - 0.75		
Pumping Fluid	Type of Fluid	Rain, Spring, Ground, Sand Carrying Water		
	Fluid Temperature	0 to 40°C		
Pump	Structure	Impeller	Semi-vortex	
		Shaft Seal	Double Mechanical Seal (with Oil Lifter)	
		Bearing	Double-shielded Ball Bearing	
	Materials	Impeller	Urethane Rubber	
		Casing	Ductile Iron Casing	
		Outer Cover	Steel Plate	
Shaft Seal	Silicon Carbide			
Motor	Type, Pole	Dry Type Submersible Induction Motor, 2-pole		
	Class of Insulation	Class-E		
	Phase/Voltage	Single-phase/ 110V, 220V, 230V, 240V		
	Starting Method	Capacitor Run		
	Protection Device (Built-in)	Miniature Thermal Protector/ Circle Thermal Protector		
	Lubricant	Turbine Oil (ISO VG32)		
	Materials	Frame	Aluminium Alloy Casting	
		Shaft	403 Stainless Steel	
Cable		PVC		

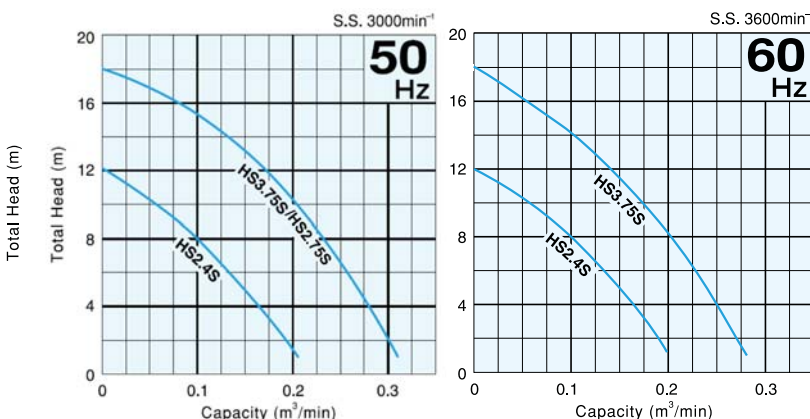
### Applications

Draining at civil engineering or building sites  
 Draining storm water, groundwater, or puddles  
 Draining from basements or utility pits

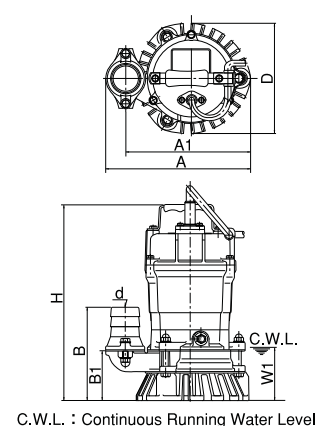
### Standard Accessories

- Hose Coupling.....1pc
- Hose Band.....1pc

### Performance Curves



### Dimensions



### Standard Specifications 50/60Hz

Discharge Bore mm	Model	Motor Output kW	Phase	Starting Method	Dry Weight kgs	Cable Length m	Dimensions mm						C.W.L. mm	
							d	A	A1	B	B1	D		H
50	HS2.4S	0.4	Single	Capacitor Run	11.3	5	50	241	207	158	84	184	328	90
50(80)	HS2.75S	0.75	Single	Capacitor Run	17.5	5	80	285	233	217	109	184	388	90

● 80 mm discharge available on request ● Dry weight excluding cable